

QTS2 SERIES TUBE HEATERS

SUBMITTAL DATA – QUAD TUBE, MULTI-BURNER, SINGLE-STAGE, LOW INTENSITY GAS-FIRED INFRARED TUBE HEATERS & ACCESSORIES

SUBMITTED BY: _____

DATE: _____

JOB TITLE: _____ CONTRACTOR: _____

ADDRESS: _____ PHONE #: _____

CITY: _____ ADDRESS: _____

STATE: _____ ZIP: _____ CITY: _____

STATE: _____ ZIP: _____

ENGINEER: _____

LOCAL REPRESENTATIVE: _____

NOTES: _____

QTY.	MODEL #	TAG	GAS TYPE	Input BTU/h ¹	OVERALL UNIT LENGTH	UNIT WEIGHT	APPROX. COVERAGE AREA (LxW)	TYP. OR RCMD. MOUNTING HEIGHTS ²
	QTS2-60N		Natural	60,000	112"	140 lbs.	30' x 40'	8' to 12'
	QTS2-60P		Propane	60,000	112"	140 lbs.	30' x 40'	8' to 12'
	QTS2-80N		Natural	80,000	112"	140 lbs.	35' x 45'	10' to 14'
	QTS2-80P		Propane	80,000	112"	140 lbs.	35' x 45'	10' to 14'

¹ Input at full rate.

² Typical or recommended mounting heights are provided as a guideline. If infrared heaters are mounted too high or too low, they may produce adverse results. Actual conditions may dictate variations from this data.

DETROIT RADIANT PRODUCTS CO.



21400 Hoover Rd.
Warren, MI 48089-3162

Phone: (586) 756-0950
Toll Free: (800) 222-1100
Fax: (586) 756-2626
Email: sales@drp-co.com
Website: www.reverberray.com

VISIT OUR WEBSITE FOR:

- Product Specs
- Parts Support
- Dealer Locator
- Applications
- CAD/Revit Library
- Design Guidelines
- Theory of Infrared
- and More!

QTS2 SERIES SPECIFICATIONS

BURNER CONTROL BOX

- Sight glass for burner inspection.
- Totally enclosed components.
- Coated enameled steel.
- Operational indicator lights.

GAS CONNECTION

- 7/8 in. flare-M FPT connection to 1/2 in. x 24 in. (304) SS flex connector.
- 1/2" F NPT ball valve & inlet tap.

GAS SUPPLY (Inches W.C.)

- Manifold pressure: Nat 3.5; Prop 10.0
- Min. Inlet pressure: Nat 5.0; Prop 11.0
- Max. Inlet pressure: Nat 14.0; Prop 14.0

COMBUSTION AIR INLET & VENTING

- Preset 4 in. combustion air inlet collar.
- Sidewall or roof venting.

POWER SUPPLY

- 120 VAC, 60 Hz GRD, 1 Ph., 3-wire.
- Ignition current - 1.5 amps.
- Running current - 1.1 amps.
- 120v & 24v power cords.

CONTROLS

- 3-try dual direct spark ignition.
- Safety pressure switch.
- Flame rod sensing.
- Self-diagnostic w/ LED.
- Pre & post purge controls.
- 24v thermostatic control.

REFLECTOR

- Highly polished aluminum.

COMBUSTION & RADIANT TUBES

- 16ga. 2.25" O.D. aluminized coated steel radiant emitter tubes.
- All tubes coated with high temperature, corrosion resistant black coating, .95 emissivity.

APPROVALS

- CSA Design Certified.
- Indoor/outdoor Approval.
- Commercial Approval.
- Brooder Approval.

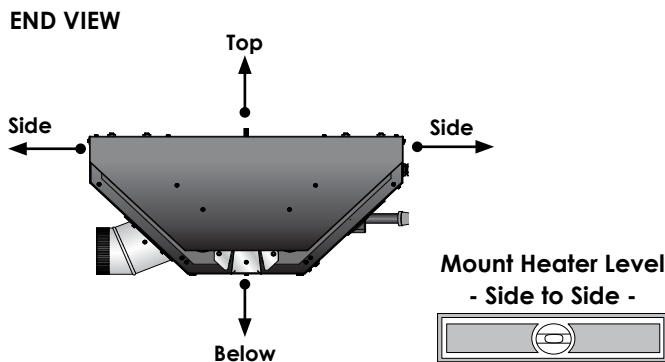
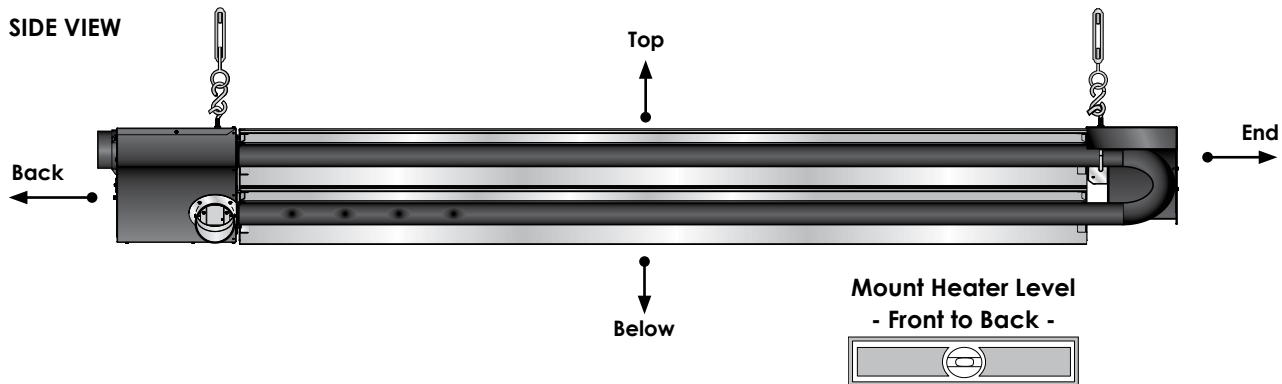
LIMITED WARRANTY

- 1 year - Burner box components.
- 3 years - Emitter tubes.
- 5 years - Burners.

Please contact the factory for further information on the terms and conditions.

CLEARANCES TO COMBUSTIBLES (IN INCHES)

MODEL NO.	TOP	SIDES	BELOW	BACK	END
QTS2-60 [N, P]	10	36	40	6	12
QTS2-80 [N, P]	10	36	40	6	12

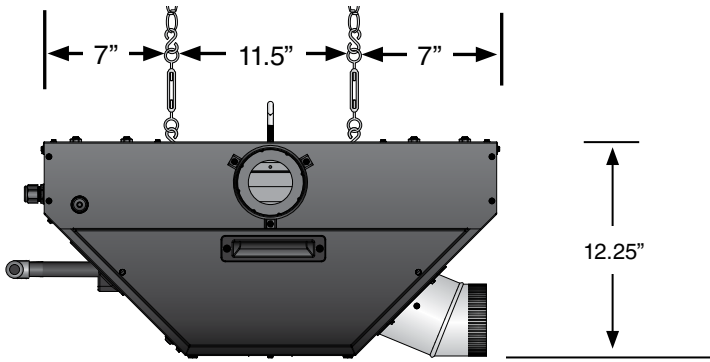


Read and understand the installation, operation and maintenance manual prior to installing or servicing this unit.

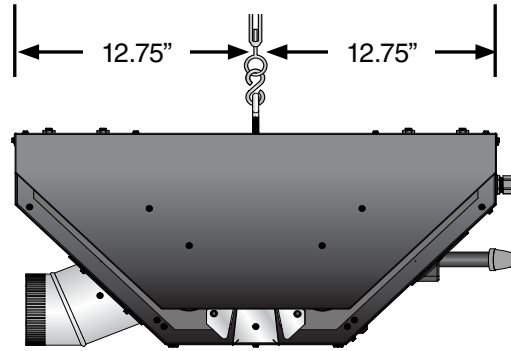
In locations used for the storage of combustible materials, signs must be posted adjacent to the heater's thermostat specifying stacking heights.

QTS2 SERIES FIELD DATA

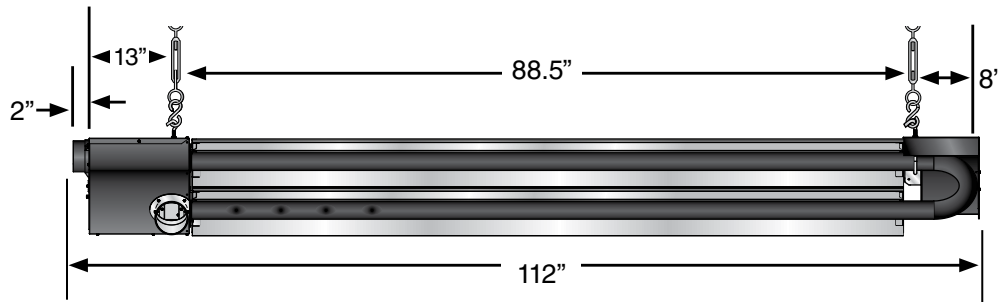
Unit Burner Control Box Dimensions - End View



QTS2 Series Unit Exhaust - End View



QTS2 Series Unit Dimensions - Side View



Visit www.reverberray.com/technical for wiring schematics.

OPTIONAL ACCESSORIES

QTY.	PART #	DESCRIPTION
	325-3	High pressure regulator with 150,000 BTU/H flow capacity.
	4-DSK	4 in. sidewall vent package. Used to vent through the sidewall. No vent pipe material included.
	AIRH	4 in. dia. flexible air inlet rubber hose with DWV adapter affixed. Mates to 4 in DWV pipe. 18" in length.
	AV-CS	Three (3) Bulldog #1, 12-Ga 20" hanging chains with six (6) S-hooks.
	ERK	For multiple heaters controlled by one thermostat. This can mount on or near the heater. One ERK is required per heater. Used in standard environments.
	PLQ	Warning plaque.
	RTV-106	Tube of high temperature sealant. Used for sealing venting, combustion air inlet, and burner boxes.
	RTVP-4	4 in. rooftop vent package. Used to vent vertically through the roof. No vent or type B-vent pipe material included.
	RVC-4	4 in. rooftop vent cap. For use on vertical rooftop vent applications only. For use on air intake or vent exhaust.
	TEE-4	4 in. dia. drain waste vent tee with screened intakes. Used to provide outside combustion air to heater.
	TH-115	Thermostat with rain tight enclosure. Watertight NEMA 4X when used with watertight connections (24, 120 or 220V).
	TH-1F78	24V single-stage advanced programmable heat /cool digital thermostat. with LCD display.
	TH-ET5	Columbus Electric thermostat. 125-277 VAC, 22.0 amps. May be used to switch either 24V, 120V or 220V.
	WIV-4	4 in. O.D. wall inlet cap, with bird screen. For use with outside air option. Used for 0-20' of 4" intake.
	VH-4	Vent hood/diffuser. Must be used with unvented units.

NOTE: Refer to the QT2 Series Packing List for further specifications and limitations on any of the above options.

WRITTEN SPECIFICATIONS

PRODUCTS

1. TUBULAR INFRARED QUAD HEATERS
 - A. Basis-of-design product: Subject to compliance with requirements, provide Detroit Radiant Products Company; **Re-Verber-Ray® QTS2 Series**.
 - B. Fuel type: Burner shall be designed for [natural] [propane] gas having characteristics same as those of gas available at project site.
 - C. Gas control: Heater must be CSA Design Certified to operate at a nominal rated input mode.
 1. The heater's control system shall be designed to shut off the gas flow to the main burner in the event either a gas supply or power supply interruption occurs.
 - D. Emitter tube: Shall be 2.25" O.D. 16ga. aluminized steel finished with a high emissivity rated, corrosion resistant, black coating with an emissivity level documented at .92 or higher.
 - E. Burner type: Unit shall be a negative pressure burner with a combustion fan downstream of the burner.
 1. Power supplied to each burner shall be 120 VAC, 60Hz. Flame sensing shall be via two (2) independent sensing flame rods and circuitry.
 - F. Fan enclosure: Combustion fan shall be totally housed inside burner control box and not exposed. Appliances with exposed combustion/exhauster fans shall not be permitted.
 - G. Burner: Aluminized steel venturi burner.
 - H. Ignition system: Heaters shall be equipped with a dual direct spark ignition system with a three (3) try ignition trial to sensing mode and an infinite trial after sensing mode. System shall incorporate a self-diagnostic ignition module including a LED readout display. System shall recycle the heater after an inadvertent shutdown.
 - I. Reflectors: Shall be .025 polished aluminum with a multi-faceted design which includes reflector end caps. Reflector shall have a polished bright finish with clear visual reflection ability. (A sample will be required at time of submittal).
 - J. Control box: Heater's control housing shall be totally enclosed with a corrosion resistant enameled steel exterior. The controls shall be easily serviceable by removing one (1) panel.
 1. Air intake: An air intake collar shall be supplied as part of the burner control assembly to accept a 4 inch O.D. supply duct.
 2. Outdoor modifications are required for any application that will be placed in space defined as outdoors. The rating label shall bear the outdoor certification approval.
 - K. Heaters shall be equipped with a sight glass allowing a visual inspection of igniter and burner operation.
 - L. The heaters shall utilize a downstream turbulator baffle for maximum heat transfer.
 - M. Heater shall be supplied with a stainless steel flexible gas connector.
 - N. Burner Safety Controls:
 1. Heater controls shall include a safety differential pressure switch to monitor combustion air flow, as to provide complete burner shutdown due to insufficient combustion air or flue blockage.
 2. The heater shall incorporate a self-diagnostic ignition module, and recycle the heater after an inadvertent shutdown.
 3. The heater's control system shall be designed to shut off the gas flow to the main burner in the event either a gas supply or power supply interruption occurs.
 4. The heater's blower motor shall be thermally protected and the motor's impeller shall be balanced.
 5. Heater control assembly shall include indicator lights that define the units operating state.
 6. The heater's air flow control system shall provide a 7 second pre-purge prior to initiating burner operation and a 90 second post-purge upon completion, effectively removing all products of combustion from heat exchanger and/or radiant tubes.
 7. No condensation shall form as a result of combustion in the combustion chamber or radiant tubes while at operating temperatures.
 - O. Venting: Shall be per manufacturer approval and specifications.
 - P. Thermostat: Devices and wiring are specified in Division 23 Section "Instrumentation and Control for HVAC."
 1. Thermostat: Single stage, digital programmable wall-mounting type with 50 to 90 deg F (10 to 32 deg C) operating range.